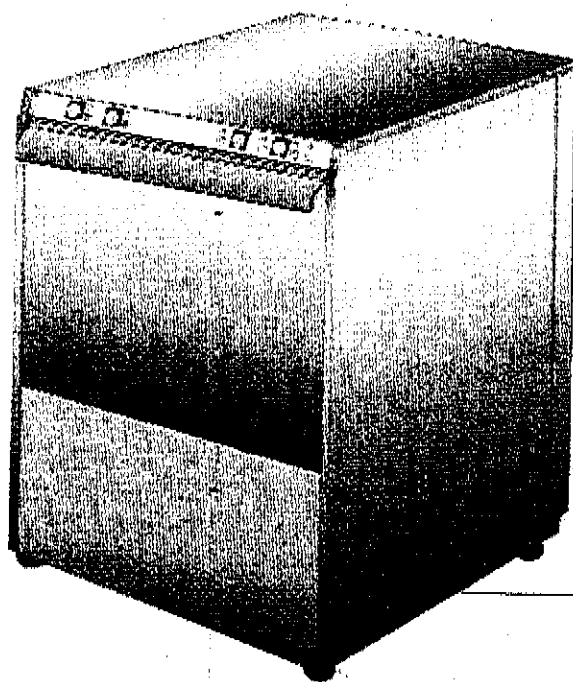




I	LAVASTOVIGLIE INDUSTRIALI
F	LAVE-VAISSELLE INDUSTRIELES
GB	INDUSTRIAL DISHWASHER
D	INDUSTRIEGESCHIRRSPÜLER
ES	LAVAVAJILLAS INDUSTRIALES
PT	LOIÇA INDUSTRIAIS



Moublée  
**W700A**

N50B PS - PB

# WASHRITE

MANUALE PARTI DI RICAMBIO

SPARE PARTS MANUALS

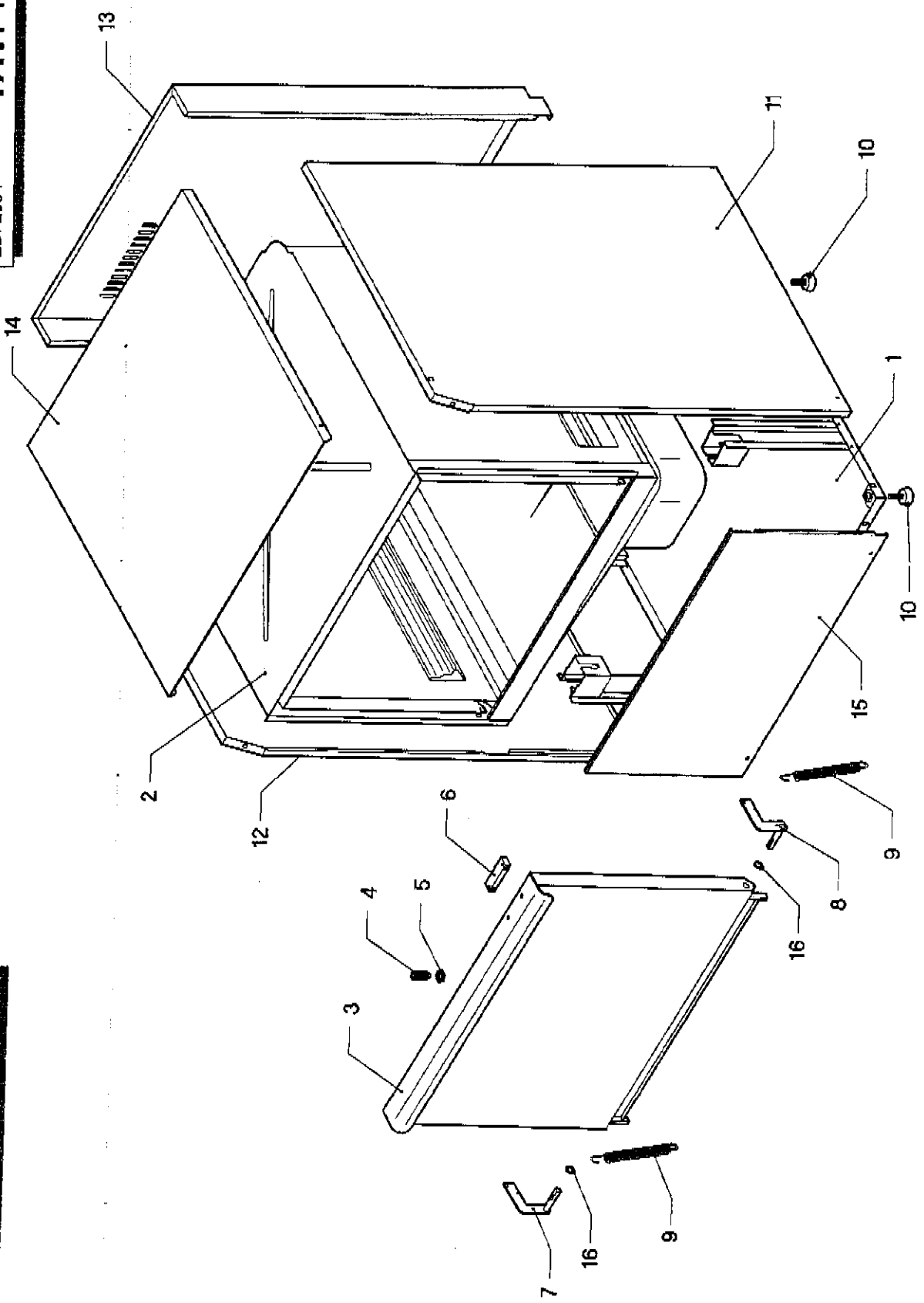
CATALOGUES PIECES DETACHEES

MANUAL PARTES DE REPUESTO

Rev. 12-2005 Cod. 204029

**W 700 A**

**TAV. 1**  
ED. 2004



**W 700 A**

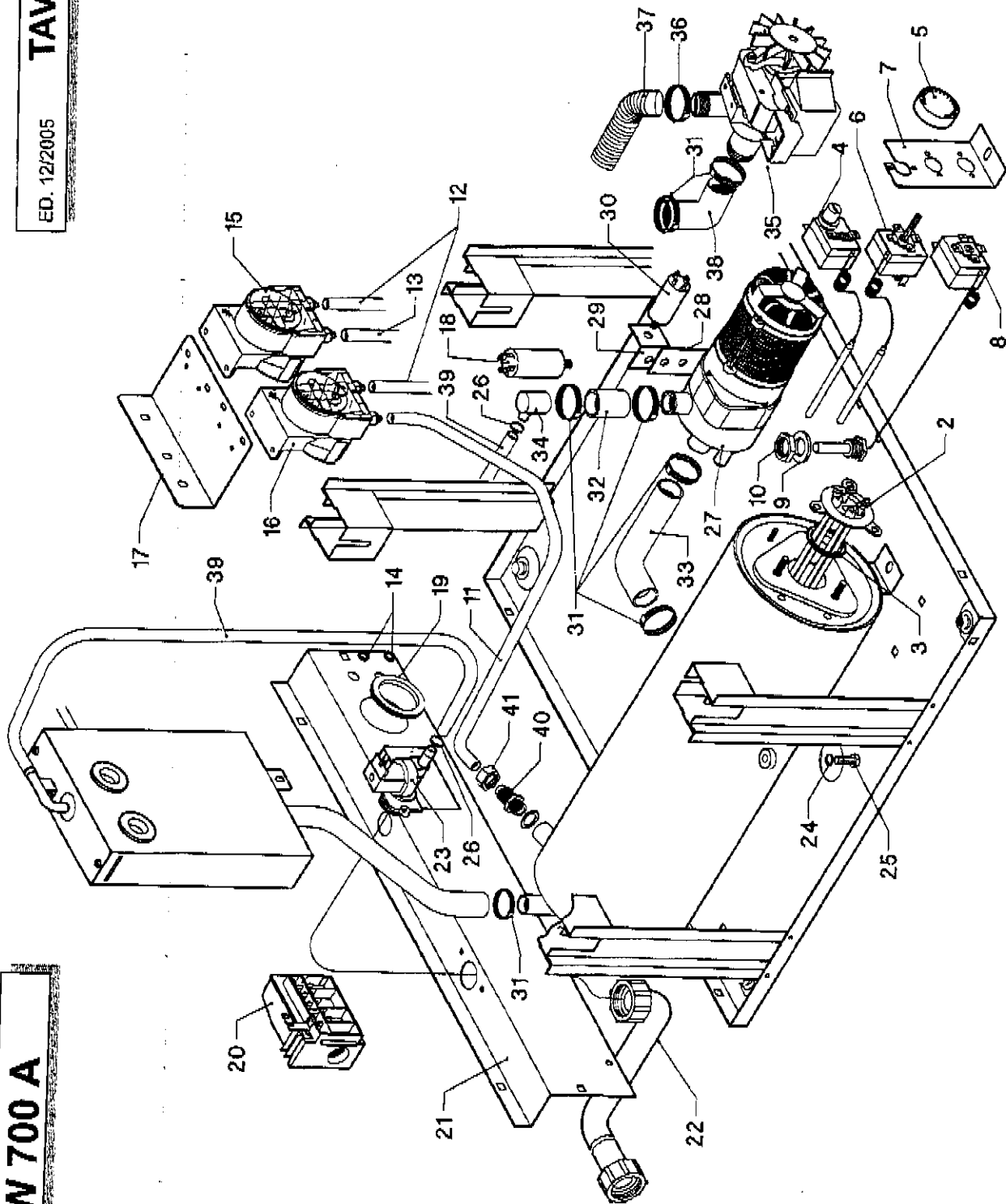
ED. 2004

**TAV.1**

Pos.	COD.	COD.	Q.ñ	DESCRIZIONE	DENOMINATION	DESCRIPTION	BEZEICHNUNG	DESCRIPCIÓN
1	903266		1	BASAMENTO	SOCLE	BASE	UNTERSTRUKTUR	BASE
2	901898		1	VASCA	CUVE	TANK	TANK	PILETA
3	904343		1	PORTA	PORTE	DOOR	TUR	PUERTA
4	906121		1	SCROCCHETTO	CLIQUET FERMETURE PORTE	DOOR CATCH	SCHNAPPVERSCHLUES	SCROCCHETO
5	902023		1	DADO SCROCCHETTO	ECROU DE CLIQUET	NUT CATCH	KLIKENMUTTER	TUERCA
6	903651		1	CUSTODIA CON MAGNETE	PROTECTION MAGNETO	COVER MAGNET	MAGNETSCHUTZ	ESTUCHE CON IMAN
7	901249		1	CERNIERA SX	CHARNIERE GAUCHE	LEFT HINGLE	LNK SCHARNIER	BISAGRA IZQUIERDA
8	901248		1	CERNIERA DX	CHARNIERE DROITE	RIGHT HINGLE	RCT SCHARNIER	BISAGRA DERECHA
9	908041		2	WOLLA	RESSORT	SPRING	SCHEIBE	RESORTE
10	904990		4	PIEDRO	PIED	RUBBER LEG	EINSTELLBARERSOCKE	PIE
11	904590		1	PANNELLO LATERALE DX	PANNEAU DROITE	RIGHT PANEL	RECHTE VERKLEIDUNG	PANEL DERECHO LATERAL
12	904591		1	PANNELLO LATERALE SX	PANNEAU GAUCHE	LEFT PANEL	LINKE VERKLEIDUNG	PANEL IZQUIERDO LATERAL
13	904588		1	PANNELLO POSTERIORE	PANNEAU POSTERIEUR	BACK PANEL	HINTERE VERKLEIDUNG	PANEL POSTERIOR
14	904598		1	PANNELLO SUPERIORE	PANNEAU SUPERIEUR	UPPER SIDE PANEL	OBERE VERKLEIDUNG	PANEL SUPERIOR
15	904594		1	PANNELLO INFERIORE	PANNEAU INFERIEUR	LOWER PANEL	UNTERE VERKLEIDUNG	PANEL INFERIOR
16	908146		2	GUARNIZIONE	JOINT	GASKET	DICHTUNG	GUARNICIÓN

TAV. 2

ED. 12/2005



W 700 A

**W 700 A**

ED. 2005

**TAV. 2**

Pos.	COD.	COD.	Q.tà	DESCRIZIONE	DENOMINATION	DESCRIPTION	BEZEICHNUNG	DESCRIPCIÓN
35	902346		1	POMPA DI SCARICO	POINPE DECHARGE	DRAIN PUMP	PUMPE SPÜLUNG	BOMBA DESCARGA
36	902454		1	FASCETTA 19 x 28	COLLIER	CLAMP	SCHELLE	ABRAZADERA
37	907439		1	TUBO DI SCARICO	TUYAU DE DECHARGE	OUTLET HOSE	ABLAUFSCHLAUCH	TUBO DESAGOTE
38	908194		1	MANICOTTO POMPA DI SCARICO	MANCHON POMPE DECHARGE	DRAIN PUMP MUFF	MUFFE PUMPT ENTLÄDUNG	PALANCA BOMBA DESCARGA
39	907295		3	TUBO GOMMA 12 x 19,5	TUYAU EN CAOUTCHOUC	RUBBER HOSE	GUMMISCHLAUCH	TUBO GOMA
40	906426		1	RACCORDO 1/8" INOX	RACCORD	PIPEFITTING	ANSCHLUSSE	EMPALME
41	908425		1	DADO IN OTTONE	ÉCROU	NUT	MUTTER	TUERGA

W 700 A

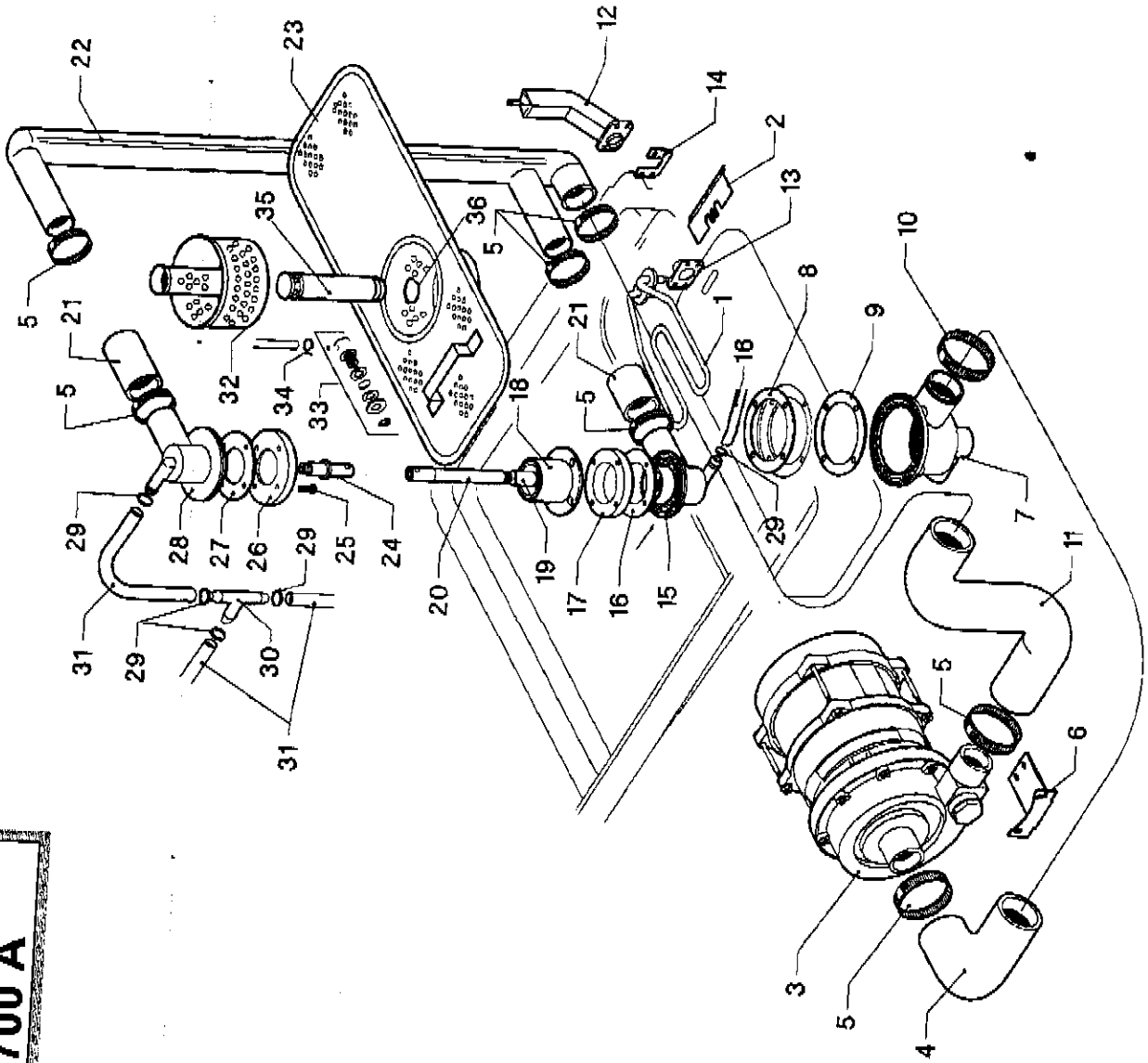
ED. 12/2005

TAV. 2

Pos.	COD.	COD.	Q.tà	DESCRIZIONE	DENOMINATION	DESCRIPTION	BEZEICHNUNG	DESCRIPCION
1	900367		1	BOILER 6KW	CHAUFFE EAU	BOILER	HEISWASSERSPEICHER	BOILER
2	905570		1	RESISTENZA 6KW	RESISTANCE	HEATINGELEMENT HEIZKÖRPER		RESISTENCIA
3	907981		1	O-RING	O-RING	O-RING	O-RING	O-RING
4	907125		1	TERMOSTATO DI SICUREZZA	THERMOSTAT	THERMOSTAT	THERMOSTAT	TERMOSTATO DE SEGURIDAD
5	904982		1	MANOPOLA	BOUTON	KNOPF	KNOPF	EMPURADURA
6	TR0440		1	TERMOSTATO REG. 0° - 90°	THERMOSTAT	THERMOSTAT	THERMOSTAT	TERMOSTATO
7	906967		1	SUPPORTO TERMOSTATI	SUPPORT THERMOSTAT	THERMOSTAT SUPPORT	THERMOSTATHALTER	SOPORTE TERMOSTATO
8	907124		1	TERMOSTATO VASCA	THERMOSTAT	THERMOSTAT	THERMOSTAT	TERMOSTATO PILETA
9	904991		1	GUARNIZIONE	JOINT	GASKET	DICHTUNG	GUARNICION
10	902100		1	GHIERA 3/8" GAS	VIROLE	LOCK-NUT	MUT-MUTTER	DIADO DE AJUSTE
11	907274		1	TUBO 4X6 CRYSTAL ROSSO	TUYAU CRISTAL	CRYSTAL PIPE	KRYSTALLROHR	TUBO CRISTAL
12	907278		2	TUBO 4X6 CRYSTAL TRASPARENTE	TUYAU CRISTAL	CRYSTAL PIPE	KRYSTALLROHR	TUBO CRISTAL
13	907279		1	TUBO SILICONE 4 x 7	TUYAU DE SILICONE	SILICONE PIPE	SILIKOROHR	TUBO DE SILICONA
14	904723		2	PASSACAVO	CHAUMARD	FAIRLEAD	KABELDURCHGANG	AISLADOR
15	901989		1	DOSATORE BRILLANTANTE	DOSEUR PRODUIT DE RINGAGE	RINSE-AID DISPENSER	KLARSPÜLMITTELDOSIERUNG	DOSIFICADOR DE ABRILANTADO
16	902347		1	DOSATORE DETERGIVO	DOSEUR DÉTERGIF	DETERGENT DISPENSER	REINIGENDE ZUFÜHR	DOSIFICADOR DE DETERGENTE
17	952820		1	SUPPORTO DOSATORE	SUPPORT DOSEUR	PROP. DEVICE SUPPORT	DOSEURZUSCHLAG	SOPORTE DOSADOR
18	901740		1	CONDENSATORE 12.5µF	CONDENSEUR	CONDENSEUR	KONDENSATEUR	CONDENSADOR
19	904721		1	PASSACAVO	CHAUMARD	FAIRLEAD	KABELDURCHGANG	AISLADOR
20	904150		1	MORSETTIERA	BORNES	TERMINAL BOARD	KLEMMLEISTE	TABLEROS DE BORNES
21	903446		1	SUPPORTO ELETTROVALVOLA	PALIER SOUPAPE ELECTRIQUE	BEARING ELECTRIC VALVE	TRÄGE ELEKTROVENTIL	SOPORTE VALVULA ELECTRICA
22	907344		1	TUBO DI CARUDO	TUYAU D'ENTREE DE L'EAU	INLET PIPE	WASSERZUFÜHRROHR	TUBO
23	902390		1	ELETTROVALVOLA 1 VIA	SOUPAPE ELECTRIQUE	ELECTRIC VALVE	ELEKTROVENTIL	VALVULA ELECTRICA
24	904430		1	O-RING	O-RING	O-RING	O-RING	O-RING
25	907820		1	VITE T.E. M8x12	VIS	SCREW	SCHRAUBE	
26	902440		2	FASCETTA 13 x 20	COLLIER	CLAMP	SCHELLE	TORNILLO
27	902235		1	POMPA RISCIACCIO	POMPE DE RINÇAGE	RINSE PUMP	SPÜLEN-PUMPE	ABRAZADERA
28	TR3572		1	SUPPORTO POMPA RISCIACCIO	SUPPORT POMPE DE RINÇAGE	RINSE PUMP SUPPORT	SPÜLEN-PUMPE UNTERSTÜTZUNG	BOMBA DE ENJUAGUE
29	853582		1	SQUADRIETTA CONDENSATORE	EQUERRE CONDENSEUR	BRACKET CONDENSER	WINKEL KONDENSATEUR	SOPORTE BOMBA DE ENJUAGUE
30	901744		1	CONDENSATORE 6µF	CONDENSEUR	CONDENSEUR	KONDENSATEUR	ANGULAR CONDENSADOR
31	902480		7	FASCETTA 26 x 38	COLLIER	CLAMP	SCHELLE	CONDENSADOR
32	908922		1	MANICOTTO POMPA RISCIACCIO	MANCHON POMPE DE RINÇAGE	RINSE PUMP MUFF	MUFFE SPÜLEN-PUMPE	ABRAZADERA
33	903713		1	MANICOTTO ASPIRAZIONE	MANCHON D'ASPIRATION	INLET MUFF	ANSUGMUFFE	PALANCA BOMBA DE ENJUAGUE
34	901682		1	PIPETTA PRESSIONE	PIPETTE PRESSION	PRESSION PIPETTE	DRUCK-PIPETTE	PALANCA DE ASPIRACION

TAV. 3

ED. 12/2005



W 700 A

W 700 A

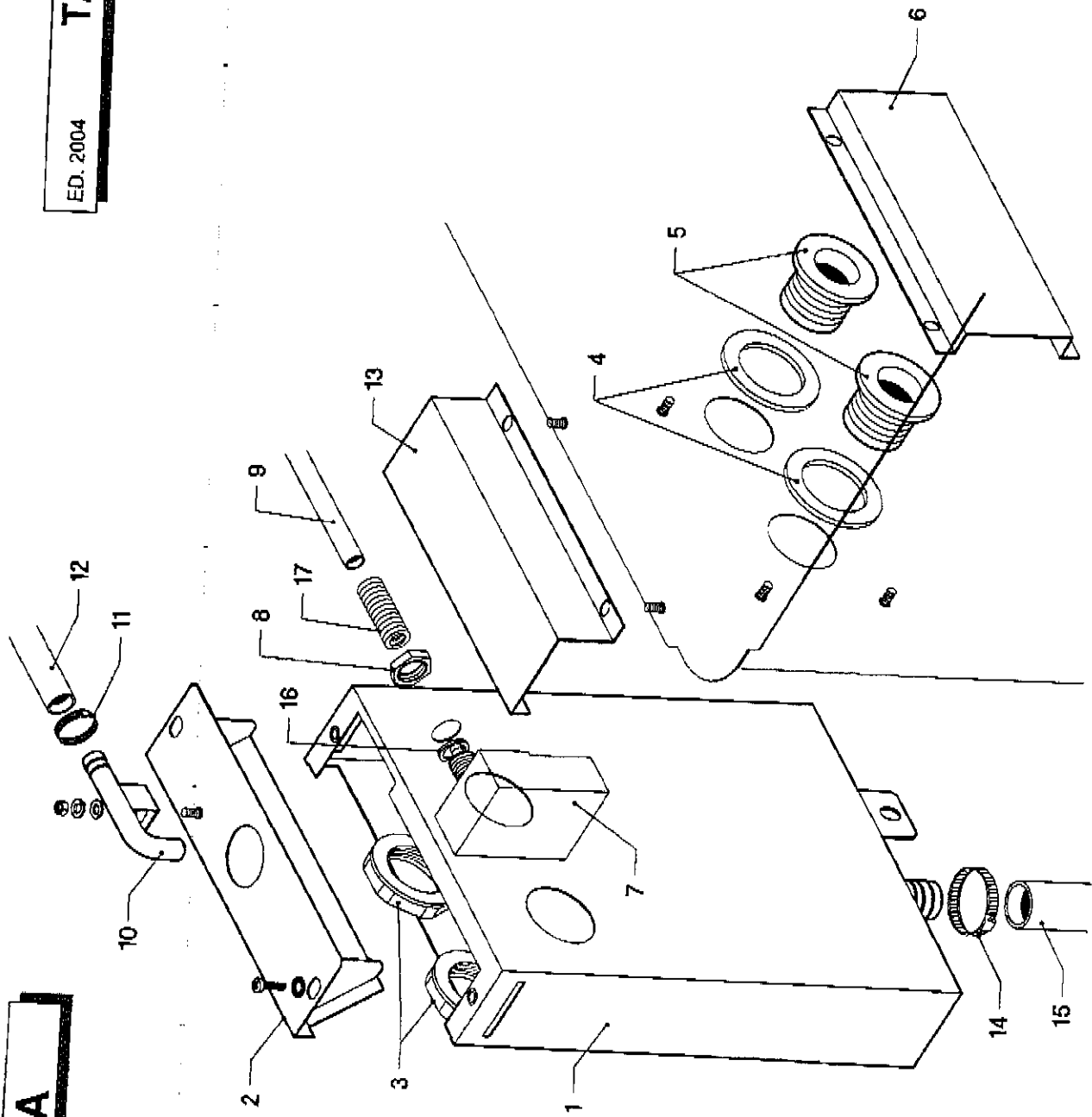
ED. 12/2005 TAV. 3

Pos.	COD.	COD.	Q.tà	DESCRIZIONE	DENOMINATION	DESCRIPTION	BEZEICHNUNG	DESCRIPCION
1	905858		1	RESISTENZA 2000V	RESISTANCE	HEATINGELEMENT HEIZKÖRPER	HEIZKÖRPER	RESISTENCIA
2	904957		1	PROTEZIONE RESISTENZA	PROTECTION RESISTANCE	HEATINGELEMENT PROTECTION	HEIZKÖRPER SCHUTZ	PROTECCION RESISTENCIA
3	902304		1	POMPA 0,75 HP	POMPE	PUMP	PUMPE	BOMBA
4	908136		1	MANICOTTO ASPIRAZIONE	MANCHON D'ASPIRATION	INTAKE PIPE FITTING	ANSAUGANSCHLUSSE	PALANCA DE ASPIRACION
5	902441		7	FASCETTA 38 x 50	COLLIER	CLAMP	SCHELLE	ABRAZADERA
6	906356		1	SUPPORTO POMPA	SUPPORT POMPE	PUMP SUPPORT	PUMPE TERUNG	ABRAZADERA
7	905255		1	POZZETTO	PUISARD	SUMP	SCHACHT	SOPORTE BOMBA
8	905256		1	FLANGIA	VIS	SCREW	SCHRAUBE	POZUELO
9	905257		1	GUARNIZIONE	JOINT	GASKET	DICHTUNG	SOPORTE
10	902480		1	FASCETTA 28 x 38	COLLIER	CLAMP	SCHELLE	GUARNIZION
11	907439		1	TUBO SCARICO	TUYAU DE DECHARGE	OUTLET PIPE	ABLAUFSCHLAUCH	ABRAZADERA
12	907264		1	TRAPPO ARIA	RESERVOIR AIR	AIR TRAP	LUFTFALLE	TUBO DESAGOTE
13	903261		1	GUARNIZIONE	JOINT	GASKET	DICHTUNG	TRAMPA DEL AIRE
14	907926		1	PIASTRINA TRAPPO ARIA	PLAQUE PIEGE	TRAP PLATE	PLATTE MIT FANGSTELLE	GUARNIZION
15	905456		1	MOZZO LAVAGGIORISCIACQUO	MOYEU DE LAVAGE/RINÇAGE	WASHING RINSE HUB	SPÜLUNGSMASCHINENWASCHEN	CHAPA TRAMPA
16	908141		1	GUARNIZIONE	JOINT	GASKET	DICHTUNG	BUJE DE LAVADORENWAUAGUE
17	902183		1	DIAMAZALE	ENTRETOISE	SPACER	ENTFERNUNGSSTÜCK	GUARNIZION
18	905388		1	RACCORDO INFER. LAVAGGIO	RACCORD DE LAVAGE INFER.	WASHING INFER. PIPE FITTING	UNTERANSCHLUSS WASCHEN	DISTANCIADOR
19	955076		1	BOCOOLA INRUIZIONE	RÉDUCTION	REDUCTION BUSH	VERKLEINERUNG	EMPALME INFER. DE LAVADO
20	908149		1	PERNO RISCIAQUO INFERIORE	TOURILLON DE RINÇAGE INFER.	INFERIOR RINSE PIN	UNTERSPELLSTIFT	PERNO ENJAGUE INFERIOR
21	903756		2	TUBO GIUNZIONE	TUYAU	PIPE	SCHLAUCH	TUBO
22	903743		1	TUBO MANDATA SUPERIORE	TUYAU DE REFOUL SUPERIEUR	UPPER OUTLET PIPE	OBERE AUSLAUSSROHR	TUBO DE MANDO SUPERIOR
23	904471		1	FILTRO	FILTRE	FILTER	FILTER	FILTRO
24	904796		1	PERNO RISCIAQUO	TOURILLON DE RINÇAGE	RINSE PIN	SPÖLLSTIFT	PERNO ENJAGUE
25	907869		4	VITE M8x12	VIS	SCREW	SCHRAUBE	TORNILLO
26	908124		1	FLANGIA	FLASQUE	FLANGE	FLANSCH	SOPORTE
27	908141		1	GUARNIZIONE	JOINT	GASKET	DICHTUNG	GUARNIZION
28	905449		1	MOZZO SUPERIORE SX	MOYEU SUPERIEUR SX	UPPER HUB SX	OBERNABE SX	BUJE SUPERIOR SX
29	902440		4	FASCETTA 13 x 20	COLLIER	CLAMP	SCHELLE	ABRAZADERA
30	905382		1	RACCORDO A T	RACCORD	PIPE FITTING	ANSCHLUSSE	EMPALME
31	907295		3	TUBO GOMMA 12 x 19,5	TUYAU EN CAOUTCHOUC	RUBBER HOSE	GUMMISCHLAUCH	TUBO GOMA
32	904469		1	FILTRO	FILTRE	FILTER	FILTER	FILTRO
33	902366		2	RACCORDO INOX	RACCORD	PIPE FITTING	ANSCHLUSSE	EMPALME
34	902430		2	FASCETTA	COLLIER	CLAMP	SCHELLE	ABRAZADERA
35	907303		1	TROPPO PIENO				
36	904404		1	O RING				



TAV. 4

ED. 2004

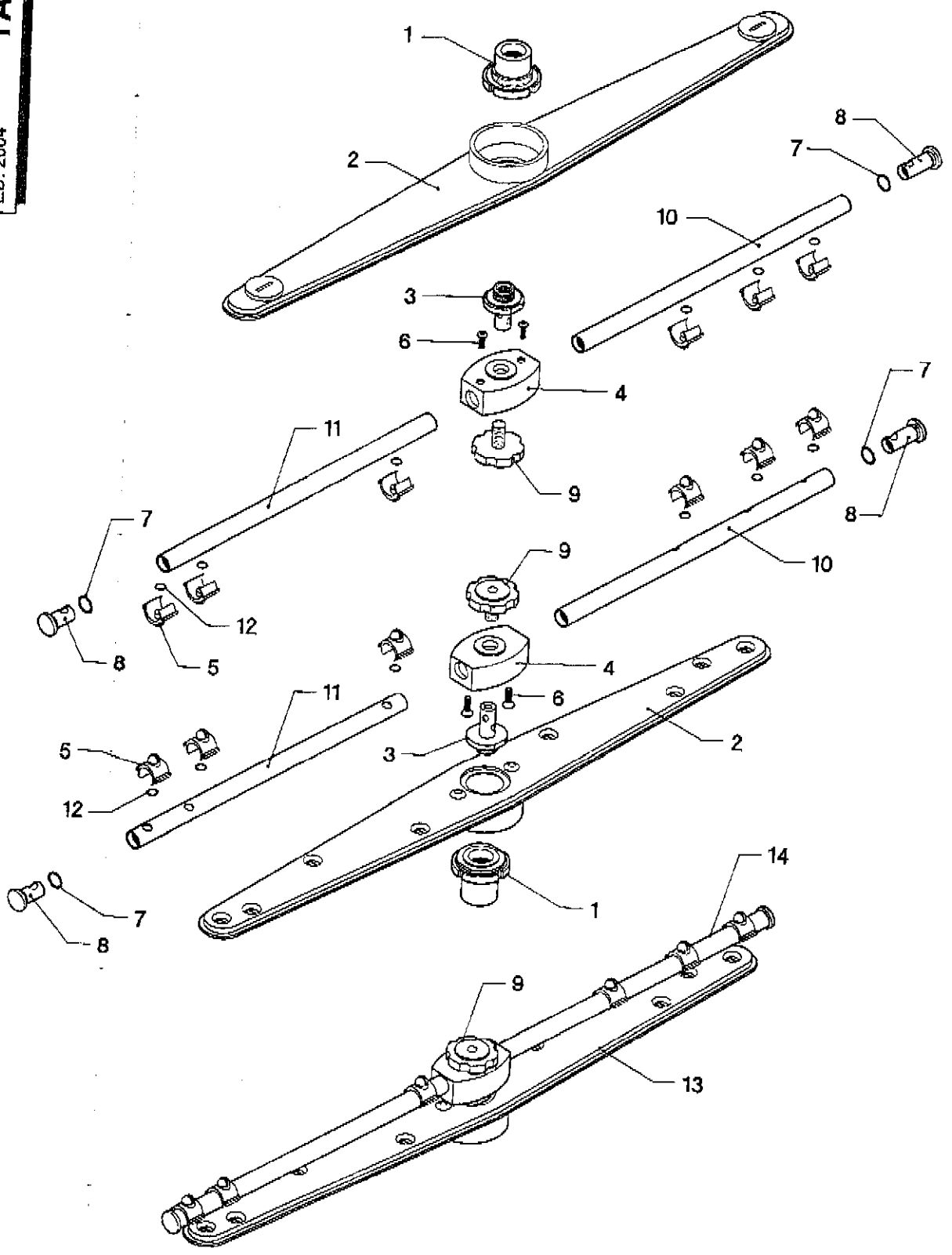


W 700 A

**W 700 A**ED. 2004 **TAV. 4**

Pos.	COD.	COD.	Q. tà	DESCRIZIONE	DENOMINATION	DESCRIPTION	BEZEICHNUNG	DESCRIPCION
1	900000		1	BREAK TANK COMPLETO	RÉSERVOIR À EAU	BREAK TANK	BEHÄLTNER	TANQUE DE AGUA
2	900001		1	COPERCHIO	COUVERCLE	COVER	ABDECKUNG	COBERTURA
3	902080		2	GHIERA 1" x 1/4"	VIROLE	LOCK-NUT	MUT MUTTER	ABRAZADERA
4	903325		2	GUARNIZIONE	JOINT	GASKET	DICHTUNG	GUARNICION
5	TR1234		2	RACCORDO 1" x 1/4"	RACCORD	PIPE FITTING	ANGCHLUSSE	ENPALME
6	900028		1	COPERCHIO	COUVERCLE	COVER	ABDECKUNG	COBERTURA
7	907252		1	TRAPPOLA ARIA	RÉSERVOIR AIR	AIR TRAP	LUFTFALLE	TRAMPA DEL AIRE
8	902100		1	GHIERA 3/8"	VIROLE	LOCK-NUT	MUT MUTTER	ABRAZADERA
9	907279		1	TUBO PRESSOSTATO	TUYAU PRESSOSTAT	PRESSURE SWITCH PIPE	SCHLAUCH	TUBO PRESOSTATO
10	900002		1	RACCORDO ENTRATA ACQUA	RACCORD	PIPE FITTING	ANSCHLUSSE	ENPALME
11	902440		1	FASCETTA 13 x 20	COLLIER	CLAMP	SCHELLE	ABRAZADERA
12	907295		1	TUBO GOMMA 12 x 19,5	TUYAU EN CAOUTCHOUC	RUBBER HOSE	GUAMMSCHLAUCH	TUBO GOMA
13	900026		1	PARASPRUZZI	GARDE-JETS	SPRAY-GUARD	SPRITZBLECH	SALPICADERO
14	902480		1	FASCETTA 26 x 38	COLLIER	CLAMP	SCHELLE	ABRAZADERA
15	903675		1	MANICOTTO	MANCHON	MUFF	MUFFE	PALANCA
16	903260		1	GUARNIZIONE	JOINT	GASKET	DICHTUNG	GUARNICION
17	904131		1	MOLLA SICUREZZA TRAPPOLA ARIA	RESSORT DE SÛRETÉ	SAFETY SPRING	SICHERHEITSFEDER	RESORTE DE SEGURIDAD

ED. 2004  
**TAV. 5**



**W 700 A**

**W 700 A**

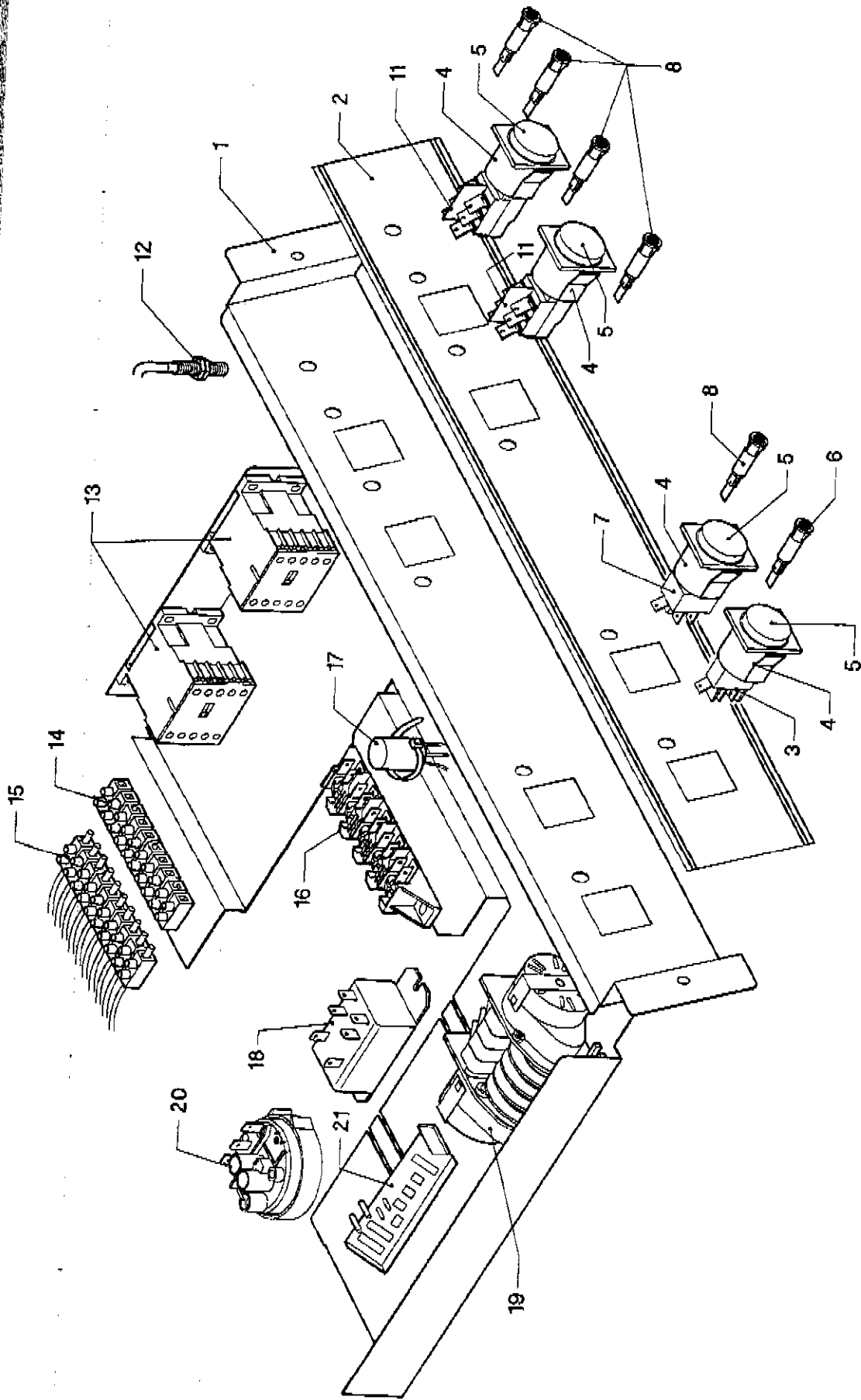
ED. 2004

**TAV. 5**

Pos.	COD.	COD.	Q.tà	DESCRIZIONE	DENOMINATION	DESCRIPTION	BEZEICHNUNG	DESCRIPCIÓN
1	904277		2	MOZZO + GHIERA	MOYEU + VITOLE	HUB + RING - NUT	NABE + KLEMMMUTTER	BIJUE + ABRAZADERA
2	902907		2	GIRANTE LAVAGGIO	BRAS DE LAVAGE	WASH ARM	SPÜLLARM	RODETE LAVADO
3	904760		2	PERNO GIRANTE RISC.	TCURILLON DE RINÇAGE	RINSE RIN.	SPÜLLSTIFT	PERNO:RODETE ENJUAGUE
4	904292		2	MOZZO GIRANTE RISC.	MOYEU	HUB	NABE	BIJUE RODETE ENJUAGUE
5	902816		12	GETTO RISCACQUO	JET DE RINÇAGE	RINSING JET	SPÜLDÜSE	CHORRO ENJUAGUE
6	907651		4	VITE TPS.Nº4x8	VIS	SCREW	SCHRAUBE	TORNILLO
7	904321		4	O - RING	O - RING	O - RING	O - RING	O-RING
8	906450		4	TAPPO PER BRACCIO RISC.	BOUCHON BRAS DE RINÇAGE	PLUG FOR RINSE ARM	VERSCHLUSS SPÜLLAUF.	TAPÓN PARA BRAZO ENJUAGUE
9	902880		2	GHIERA BLOCCAGGIO	FRETTE DE BLOCAGE	RING-NUT	KLEMMMUTTER	ABRAZADERA BLOQUEO
10	854806		2	BRACCIO RISCACQUO DX	BRAS DE RINÇAGE DROITE	RIGHT RINSE ARM	RECHTE SPÜLLAUFRAD	BRAZO ENJUAGUE DERECHO
11	854807		2	BRACCIO RISCACQUO SX	BRAS DE RINÇAGE GAUCHE	LEFT RINSE ARM	LINKE SPÜLLAUFRAD	BRAZO ENJUAGUE IZQUIERDO
12	904388		12	O - RING	O - RING	O - RING	O - RING	O-RING
13	903106		2	GIRANTE LAVAGGIO COMP.	BRAS DE LAVAGE	WASH ARM	SPÜLLARM	RODETE LAVADO COMPI.
14	903017		2	GIRANTE RISCACQUO COMP.	BRAS DE RINÇAGE	SWILLARM	SPÜLLSTIFT	RODETE ENJUAGUE COMP.

ED. 12/2005  
**TAV. 6**

**W 700 A**

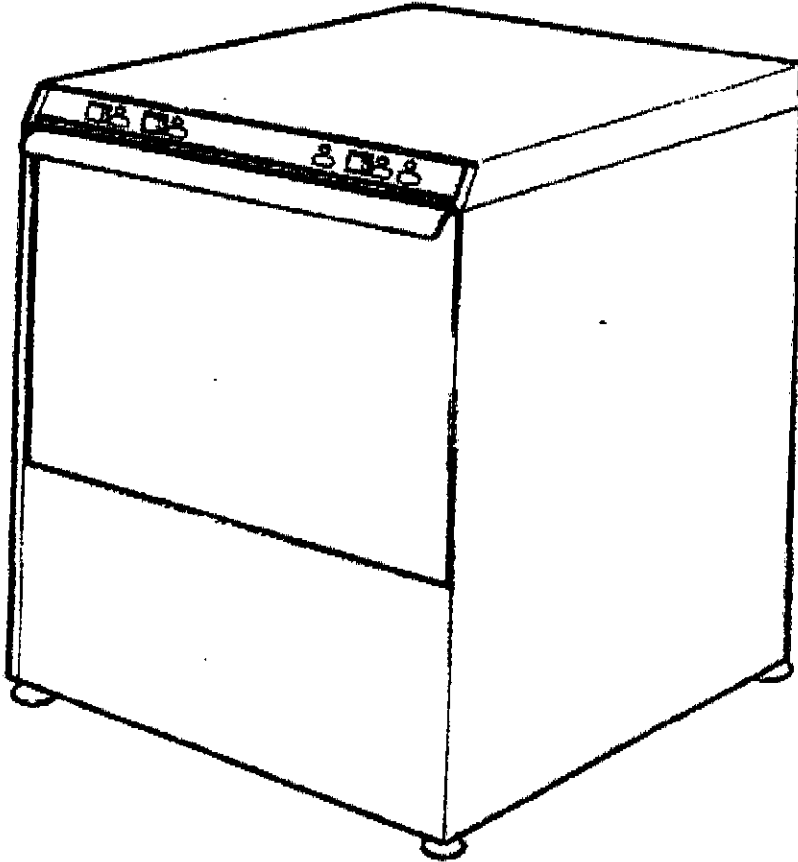


**W 700 A**ED. 12/2005 **TAV. 6**

Pos.	COD.	COD.	Q.tà	DESCRIZIONE	DENOMINATION	DESCRIPTION	BEZEICHNUNG	DESCRIPCION
1	908923		1	PASTRA PORTACOMPONENTI	PLAQUE COMPOSANTS	COMPONENT PLATE	PLATTE ZUSAMMENSETZEND	PLACA COMPONENTES
2	907069		1	TARGA	PLAQUETTE	PLATE	SCHILD	PLACA
3	905317		1	INTERRUTTORE LINEA	INTERRUPTEUR DE LIGNE	LINE SWITCH	DRUCKKNIPPVORBER.	INTERRUPTOR
4	905307		4	SUPPORTO TASTO	SUPPORT BOUTON	SUPPORT KEY	TASTEHALTER	SOPORTE TECLA
5	905311		3	TASTO TONDO GIALLO	BOUTON JAUNE	YELLOW PUSH-BUTTON	GELBE DRUCKTASTE	BOTON AMARILLO
6	903653		1	LAMPADA SPIA VERDE	LAMPE	LAMP	KONTROLLAMPE	LÁMPARA
7	905313		1	PULSANTE 8 FASTON	BUTTON	PUSH-BUTTON	DRUCKTASTE	BOTÓN
8	903629		4	LAMPADA SPIA ARANCIO	LAMPE	LAMP	KONTROLLAMPE	LÁMPARA
9	905312		1	PULSANTE CICLO	BOUTON CYCLE	CYCLE PUSH-BUTTON	KONTROLLAMPE	LÁMPARA
10	905311		1	TASTO TONDO GIALLO X.P.S.	BOUTON JAUNE	YELLOW PUSH-BUTTON	DRUCKKNOPF 'ZYCLUS'	INTERRUPTOR CICLO
11	905314		1	INTERRUT. SELETT. TEMPI	INTERRUPT SELETT. TEMPS	YELLOW PUSH-BUTTON	GELBE DRUCKTASTE	BOTÓN AMARILLO
12	TR0309		1	REED MAGNETICO	REED	TIME SELECTOR SWITCH	WAHLSCHALTER	INTER. SELECCIONADOR TIEMPO
13	907095		2	TELERUTTORE	REED	REED	REED	REED MAGNETICO
14	908472		1	MORSETTIERE 14 POLI	TELERUPTEUR	CONTACTOR	SCHUTZ	TELEINTERRUPTOR
15	908471		1	MORSETTIERE 11 POLI	BORNES	TERMINAL BOARD	KLEINLEISTE	TABLEROS DE BORNES
16	904150		1	MORSETTIERE	BORNES	TERMINAL BOARD	KLEINLEISTE	TABLEROS DE BORNES
17	902105		1	FILTRI ANTIDISTURBO	BORNES	TERMINAL BOARD	KLEINLEISTE	TABLEROS DE BORNES
18	905486		1	RELE'	FILTRE ANTIDERANGEMENT	NOISE FILTER	EMTSTORFILTER	FILTROS DE RUIDOSIDAD
19	907182		1	TYMER CICLO	RELAIS	RELAY	RELAIS	RELE'
20	905270		1	PRESSOSTATO 2090	TYMER CYCLE	CYCLE TYMER	ZYCLUSZEITUR	TYMER CICLO
21	903337		1	SCHEDEA ELETTRONICA	PRESSOSTAT	PRESSURE SWITCH	DRUCKWAECHE	PRESOSTATO
					CARTE ELECTRONIQUE	ELECTRONIC CARD	ELEKTRONISCHE KARTE	TARJETA ELECTRONICA



Not Moulded.



WIDTH	582mm
DEPTH	610mm
HIGHT	835mm
WASTE HIGHT	150mm
GROSS. WT	69 kg
NET. WT	66 kg

### Proton Washrite W700A Dishwasher

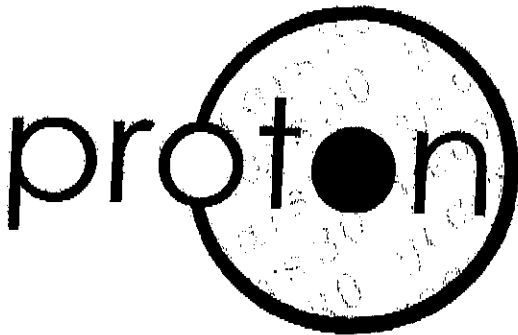
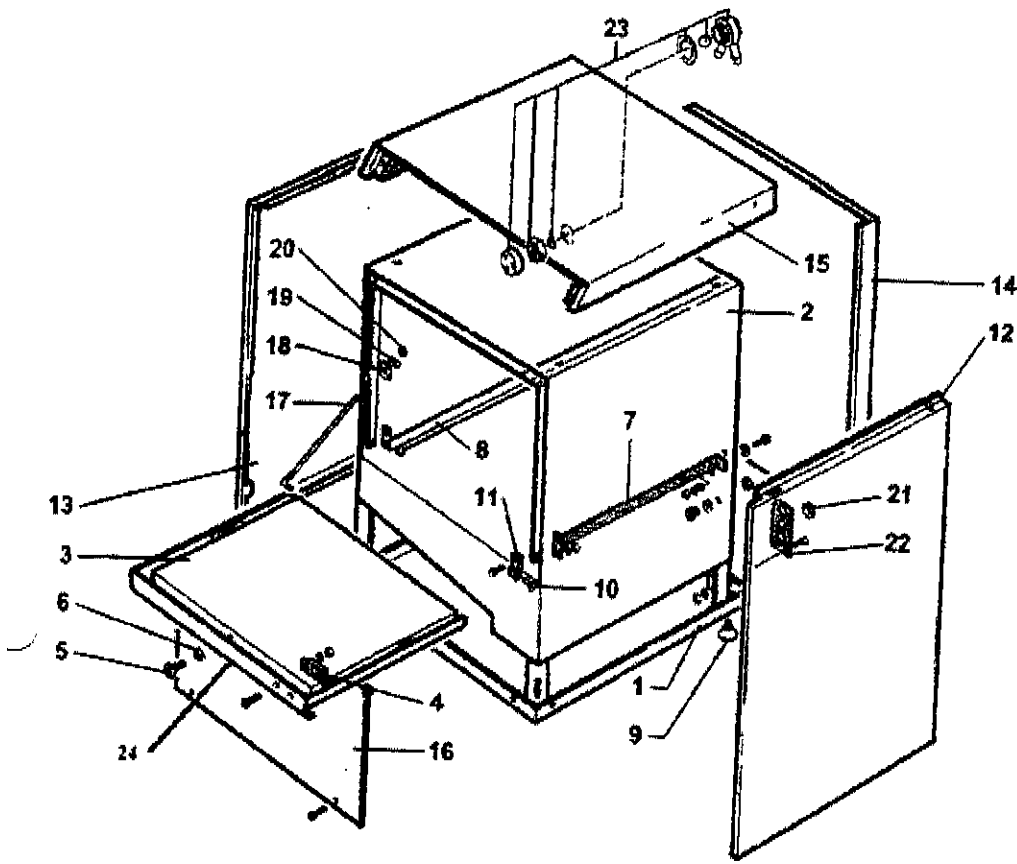


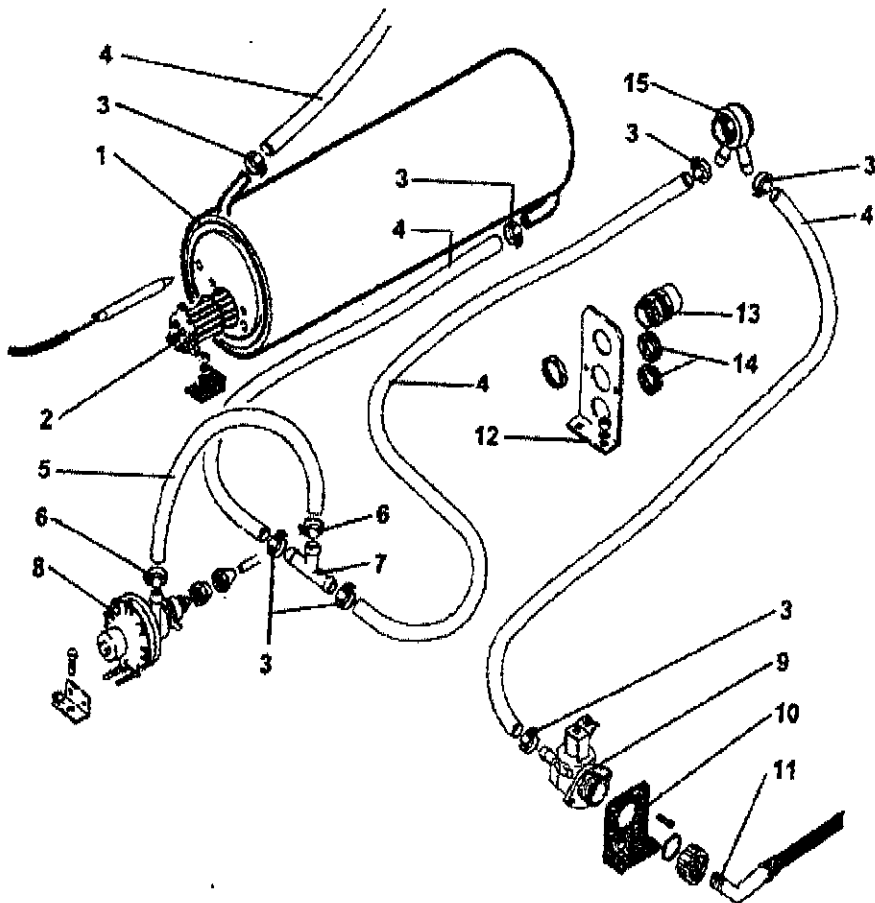
FIG 1



**POS CODE DESCRIPTION**

1	900263	BASE
2	901912	TANK
3	905171	DOOR
4	TRO220	DOOR MAGNET
5	906121	DOOR CATCH
6	902023	NUT CATCH
7	901678	BASKET GUIDE-RIGHT
8	901677	BASKET GUIDE-LEFT
9	904990	FOOT
10	904795	DOOR PIN
11	901245	DOOR SUPPORT
12	904544	PANEL-RIGHT
13	904554	PANEL-LEFT
14	904645	PANEL-BACK
15	904578	PANEL-TOP
16	904506	PANEL-LOWER FRONT
17	907240	DOOR STAY
18	904952	DOOR STAY-GUIDE
19	905424	DOOR STOP
20	902040	NUT-DOOR STAY
21	904721	FAIRLEAD
22	954003	BEARING
23	TR2433	VALVE
24	920009	HANDLE-PLASTIC

FIG 2



**POS CODE DESCRIPTION**

1	900353	BOILER
2	905560	ELEMENT BOILER
3	902440	CLIP
4	907295	HOSE-RINSE
5	907359	HOSE-INJECTOR-RINSE
6	902439	CLIP
7	905381	TEE-HOSE FITTING
8	902270	INJECTOR RINSE AID
9	902390	SOLENOID VALVE
10	906365	BRACKET
11	907344	HOSE-MAINS
12	954003	BRACKET
13	902683	CLAMP
14	904721	FAIRLEAD
15	TR2433	VALVE
16		PUMP-DETERGENT-BR3
17	902366	FITTING-WASH TANK

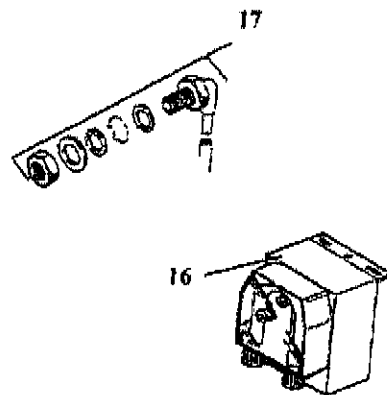
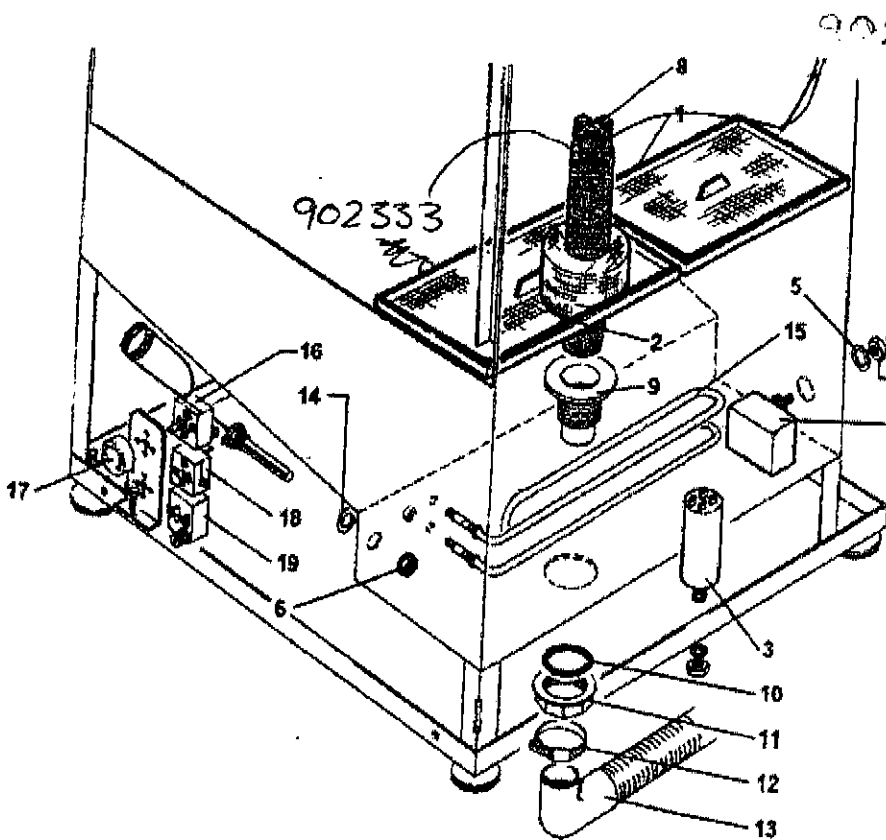


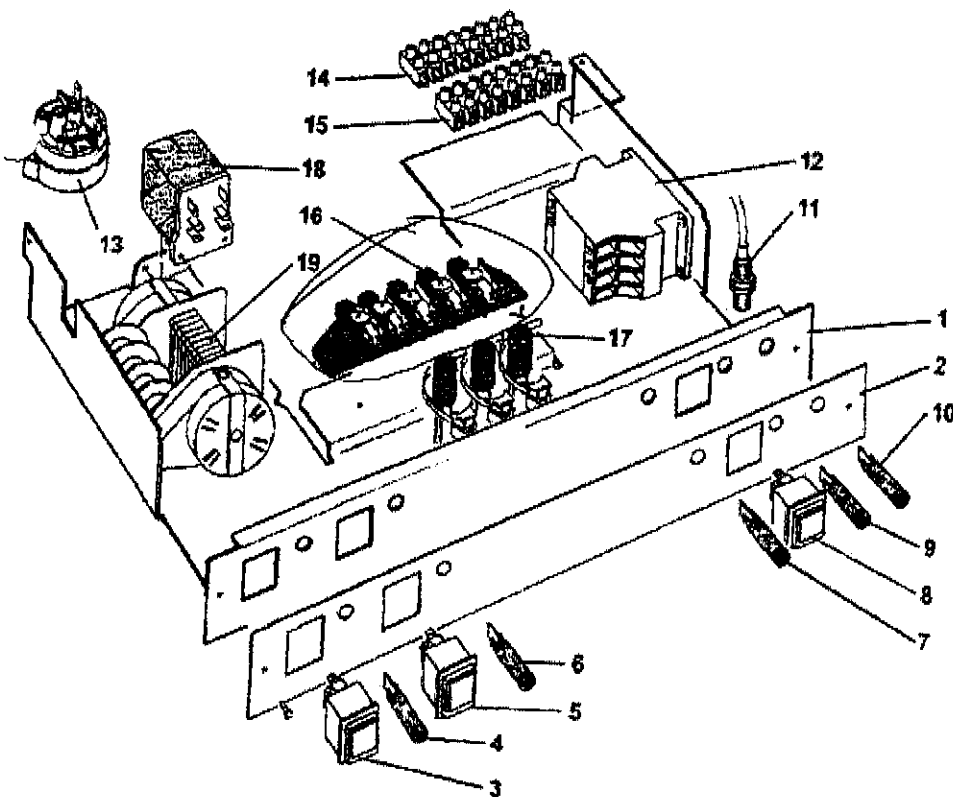


FIG 5



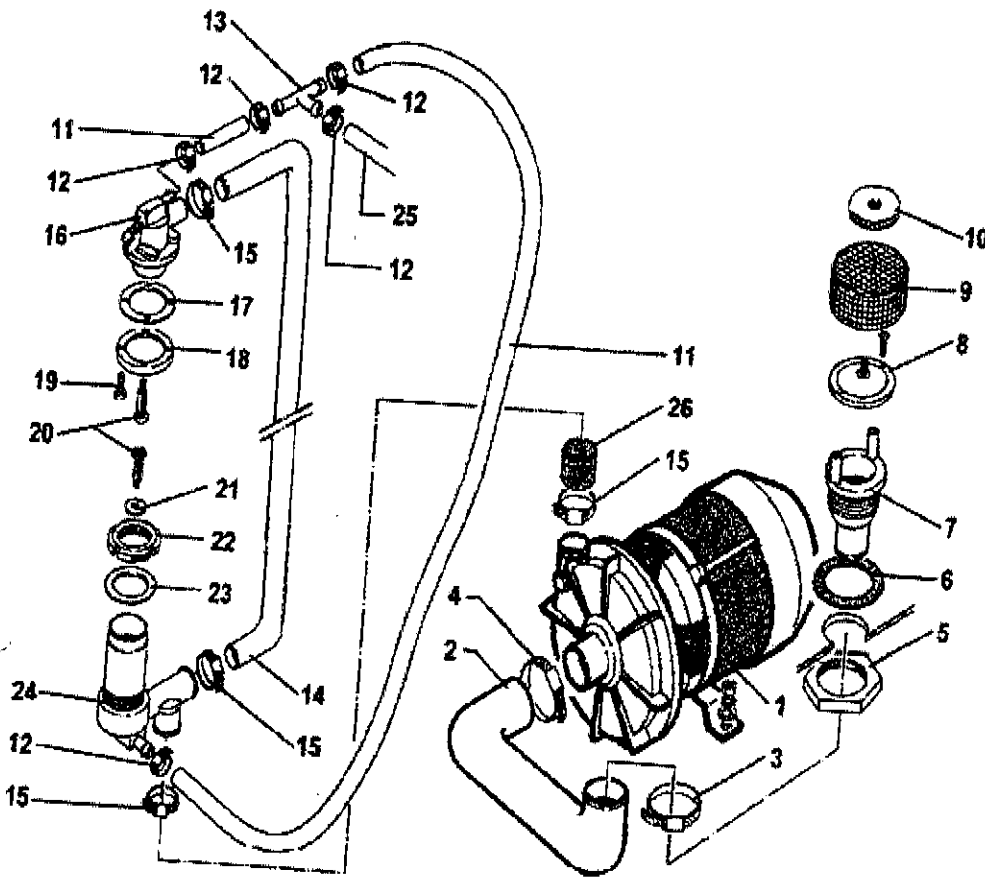
POS	CODE	DESCRIPTION
1	904462	FILTER SURFACE
2	904465	FILTER SURFACE-DRAIN
3	901740	CONDENSER
4	905273	AIR TRAP
5	903260	GASKET-AIR TRAP
6	902100	NUT-AIR TRAP
7	907272	TUBE-PRESSURE SWITCH
8	907282	DRAIN PLUG
9	905440	HOUSING-DRAIN PLUG
10	904350	O-RING-HOUSING
11	902878	NUT-HOUSING
12	902460	CLIP
13	907440	HOSE-WASTE
14	904891	GASKET-THERMOSTAT
15	905745	ELEMENT-WASH TANK
16	907110	THERMOSTAT-BOILER
17	903982	KNOB-THERMOSTAT
18	907124	THERMOSTAT-WASH
19	907125	THERMOSTAT-SAFETY

FIG 6



POS	CODE	DESCRIPTION
1	905431	PANEL-CONTROL
2	907059	PANEL-FASCIA
3	905326	SWITCH - ON/OFF
4	903632	LAMP-GREEN
5	905324	SWITCH - CYCLE
6	903629	LAMP-AMBER
7	903629	LAMP-AMBER
8	905326	SWITCH-TIME
9	903629	LAMP-AMBER
10	903629	LAMP-AMBER
11	TR0309	SWITCH-REED
12	907041	CONTACTER
13	905275	PRESSURE SWITCH 3590
14	904200	TERMINAL BLOCK
15	904170	TERMINAL BLOCK
16	904150	TERMINAL BLOCK-MAINS
17	902105	NOISE FILTER
18	905474	RELAY
19	907182	TIMER UNIT

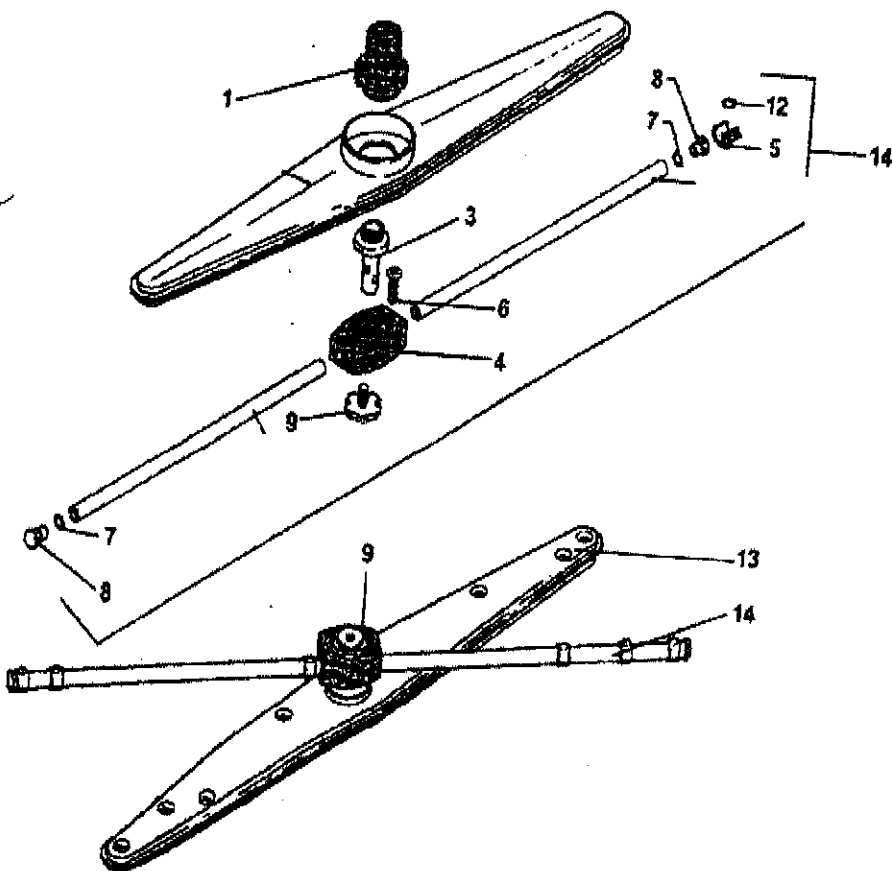
FIG 3



POS CODE DESCRIPTION

1	902296	PUMP 100HP
2	903683	HOSE-PUMP INLET
3	902481	CLIP
4	902441	CLIP
5	902090	NUT-HOUSING INLET
6	903320	GASKET-HOUSING INLET
7	905390	HOUSING-PUMP INLET
8	900009	COVER-HOUSING INLET
9	904468	FILTER-HOUSING INLET
10	902850	NUT-FILTER
11	907360	HOSE-RINSE
12	902440	CLIP
13	905382	TEE-HOSE
14	903724	HOSE-WASH
15	902460	CLIP
16	900033	HUB-UPPER
17	903330	GASKET-HUB-UPPER
18	901775	FLANGE-HUB-UPPER
19	907780	SCREW-HUB-UPPER
20	904765	WASH PIN
21	906002	WASHER-HUB-LOWER
22	900035	NUT-HUB-LOWER
23	903301	GASKET-HUB-LOWER
24	900031	HUB-LOWER
25	907295	HOSE-RINSE
26	903756	HOSE-PUMP OUTLET

FIG 4



POS CODE DESCRIPTION

1	904277	BOSS-WASH ARM
3	904760	RINSE PIN
4	904292	BOSS-RINSE ARM
5	902816	JET-RINSE
6	907651	SCREW
7	904321	O-RING-END CAP
8	906451	END CAP-RINSE ARM
9	902880	NUT-RINSE ARM
12	904388	O-RING-RINSE JET
13	903107	WASH ARM-COMplete
14	903017	RINSE ARM-COMplete